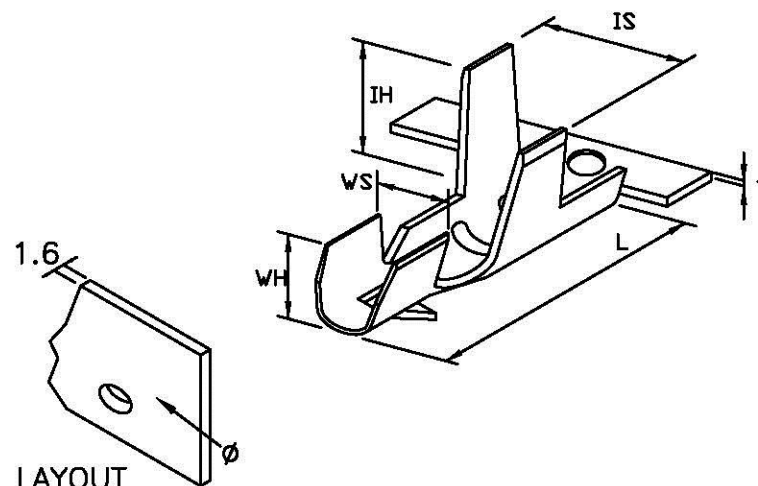


# DIP TYPE SERIES

unit:mm



P.C.B LAYOUT

D321

PART/NO.	WIRE RANGE	T	L	WS	WH	IS	IH	P.C.B(φ)	C/W	P.C.B(T)	MATERIAL	FINISH
D321-P	AWG#18 2C-6C	0.25	14.3	5.4	5.0	10.0	8.4	3.2	2.5	1.2-1.6	PHOSPHOR	Tin-plated